
 **XF、XC型滚柱、钢球式扭矩限制器**

TYPE XF、XC ROLL BEAD AND ROLL PILLAR TORQUE LIMITER

-  (M): 扭力调整螺帽内之固定螺丝之孔径及间距。
- (N): 安装螺栓孔深度。
- (S): 预留孔尺寸。
- (U): 最大加工孔径尺寸。
- (X): 当超载发生时,侦测压板弹跳距离。
- (Ymax): 扭力调整螺帽锁紧之最大长度。
- (Z): 当弹簧不受力时,扭力调整螺帽之高度。
- (T): 绊动扭力的调整范围。
- (Ω): 最大可容许角度错误之误差。
- (a): 最大可承受连接二个轴心之间隙容许尺寸。
- (e): 最大可容许承受平行(相同)误差。
- (F1): 法兰最大承受轴向力,
- (F2): 法兰最大承受径向力,


(Nmax): 最大可承受转动速度。

(J): 扭力限制器之惯量力距。

(W): 重量。

注1: 间隙误差之量是依集合H之尺寸所得知最大可容许轴力距之尺寸量。


注2: 平行(相同)误差是表示扭力传动钢珠所发生之最大公差量。更多疑问请咨询米什金: mishkinparts.com

-  M: the diameter and pitch of the set-screw inside the torque a djusting nut.
- N: the depth of mounting taps:s: pre-drilled starter hole size.
- U: maximum drilling dimensions(implies that strting hole s can be drilled to maximum dimensions U)
- x: when an overload occurs,the overload detections panel moves X mm.
- Ymax: maximum tightening length
- Z: this demension indicates the height when thespring is free and should be referred to whencalculatina tripping torque
- T: adiusting range for tripping torque
- Ω : maximum allowable clearance errors
- a : : maximum allowable parallelism error
- Nmax: maximum allowable rotating speed
- J: Inertia moment of torque limiter
- w: weight


Note1.The amount of clearance error a is amount of allowable axialmovement based on the assembly dimensions of H.

Note2.Parallelism error e indicates the maximum amount of absorptionthat occurs at the torque transmitting ball of torque limiter.

Note3.Please consult us for use at speeds that exceed the value of Nmax.

 **XF 参数表**
Table of XF series specifications

型号 Model	T (N. m)	F1 (N)	F2 (N)	c (N. m)	Nmax (rpm)	J (Kg. m ²)	W (Kg)
4XF-007S	0.3-0.7						
4XF-010S	0.4-1.0						
4XF-030S	1.0-3.0	69	392	3.4	2000	0.05 x10 ⁻³	0.24
4XF-045S	1.5-4.5						
5XF-030S	0.8-3.0						
5XF-060S	1.5-6.0	108	569	6.9	1600	0.24 x10 ⁻³	0.50
5XF-100S	2.0-10.0						
5XF-180S	4.0-18.0						
6XF-07S	2-7						
6XF-1S	3-10	3822	7938	118	800	1.3 x10 ⁻³	1.5
6XF-3S	10-30						
6XF-5S	15-50						
7XF-7L	22-70						
7XF-12L	40-120	7154	10780	196	600	4.8 x10 ⁻³	3.4
7XF-25H	80-250						
7XF-40H	120-400						
8XF-12L	50-120						
8XF-20L	70-200	10290	14700	372	400	0.015	6.2
8XF-40H	120-400						
8XF-60H	200-600						
11XF-25L	80-250						
11XF-35L	120-350	14700	22050	666	300	0.035	11.4
11XF-85H	220-850						
11XF-120H	350-1200						
14XF-30L	110-300						
14XF-45L	150-450	23520	28420	1019	250	0.085	20
14XF-120H	420-1200						
14XF-180H	600-1800						
18XF-130L	400-1300						
18XF-180L	800-1800	30184	35280	1441	180	0.3	42
18XF-300H	1500-3000						
18XF-500H	3000-5000						

 **XC 参数表**
Table of XC series specifications

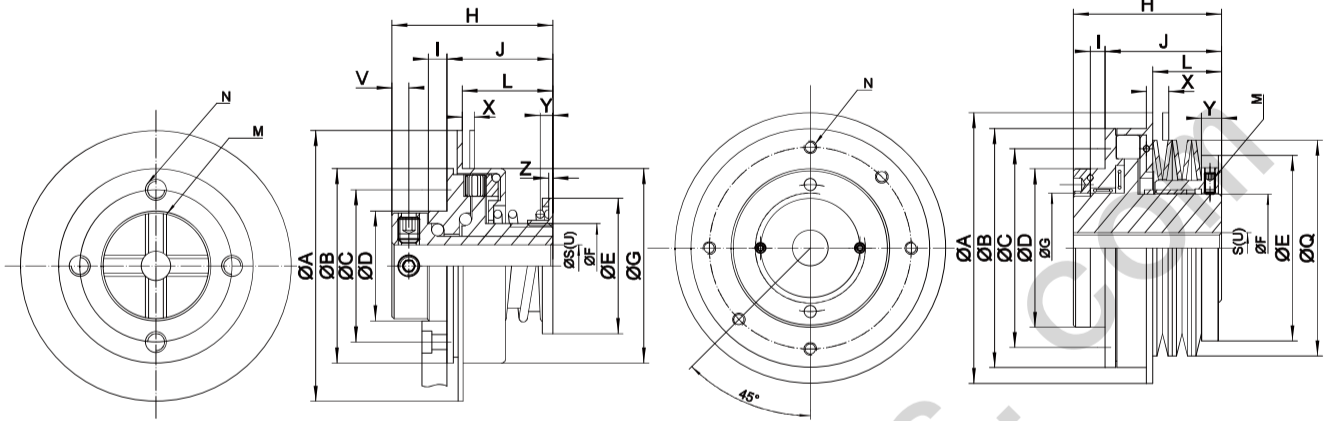
型号 Model	T (N. m)	Ω (deg)	a (mm)	e (mm)	Nmax (rpm)	J (Kg. m ²)	W (Kg)
4XC-007S	0.3-0.7						
4XC-010S	0.4-1.0						
4XC-030S	1.0-3.0	1	±1.0	0.05	2000	0.09 x10 ⁻³	0.25
4XC-045S	1.5-4.5						
5XC-030S	0.8-3.0						
5XC-060S	1.5-6.0	1	±1.0	0.05	1600	0.4 x10 ⁻³	0.68
5XC-100S	2.0-10.0						
5XC-180S	4.0-18.0						
6XC-06S	2-6						
6XC-1S	3-10	1.5	±1.5	0.05	1000	1.7 x10 ⁻³	1.5
6XC-3S	8-30						
6XC-5S	15-50						
7XC-6L	20-60						
7XC-10L	30-100	1.2	±1.8	0.1	700	5.8 x10 ⁻³	3.2
7XC-20H	60-200						
7XC35H	100-350						
8XC-12L	40-120						
8XC15L	60-150	1.2	±2	0.1	500	0.014	5.3
8XC-35H	100-350						
8XC55H	120-450						
11XG20L	70-120						
11XC-35L	100-350	1	±2.5	0.1	400	0.035	10.8
11XC-65H	200-650						
11XC-100H	300-1000						
14XG30L	100-300						
14XC-45L	150-450	0.7	±3.5	0.1	300	0.093	20
14XC-130H	500-1300						
14XC-200H	800-2000						
18XC-160L	700-1630						
18XC-250L	1000-2500	0.5	±3.5	0.1	200	0.4	45
18XG380H	1600-3800						
18XC-500H	3000-5000						

XF 扭矩限制器

TYPE XF TORQUE GUARD

XF 轴-法兰连接

ring to-shaft connection



4XF-5XF

6XF-18XF


XF 尺寸表
Table of XF series specifications

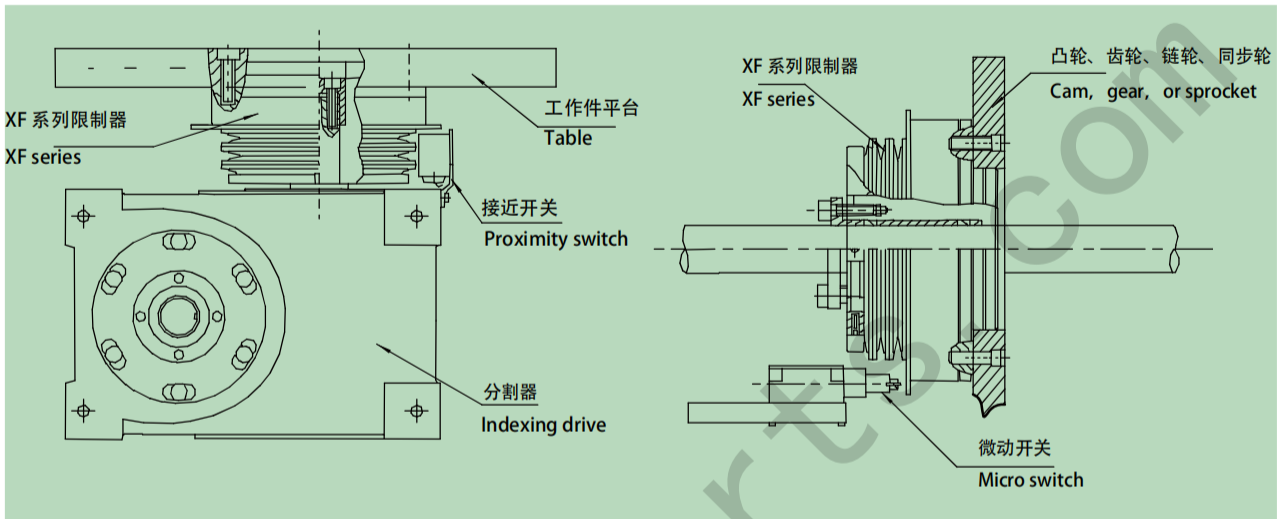
单位: (mm)
Unit: mm


Model	A	B	C	D	E	F	G	H	I	J	L	M	N	Q	S	U	V	X	Y max	(Z)
4XF-007S											21.2							1.1	2.2	0.7
4XF-010S	64	46	PCD	26h7	32	M20	46	38	4.7	25	21.4	4-M5	4-M4	—	7	12	4	1.3	2.4	0.5
4XF-030S			36			P1					21.2	P0.8	P0.7					1.1	2.5	0.7
4XF-045S											21.4		DP. 4.7					1.3	3.3	0.5
5XF-030S	82	63	PCD	35h7	45	M30	63	50	4.7	34	29.0	4-M6	4-M4	—	9	20	6	0.9	5.6	1.3
5XF-060S			50			P1.5					29.5	P0.8	P0.7					1.4	5.0	0.8
5XF-100S											29.0		DP. 5.7					0.9	7.5	1.3
5XF-180S											29.5							1.4	6.4	0.8
6XF-07S	88	88	PCD	60h7	58	M40	M40	60	5	48	25.0	2-M5	6-M6	—	12.5	30	—	1.3	9.0	3.9
6XF-1S			75			P1.5	P1.5				25.5	P0.8	PI					2.0	7.6	3.2
6XF-3S											25.0		DP. 7					1.3	9.5	3.9
6XF-5S											25.5							2.0	9.8	3.2
7XF-07L	128	113	PCD	75h7	88	M55	M52	70	6.6	55	30.0	2-M5	6-M6	102	16.5	40	—	1.6	5.3	1.7
7XF-12L			95			P2	P1.5				31.0	P0.8	P1.25					2.5	4.9	0.9
7XF-25H											30.0		DP. 9					1.6	6.2	1.4
7XF-40H											31.0							2.5	6.2	0.6
8XF-12L	164	138	PCD	100h7	108	M75	M72	82	7.6	65	37.5	2-M5	6-M8	130	16.5	52	—	1.6	6.2	0
8XF-20L			120			P2	P1.5				38.5	P0.8	P1.25					2.5	6.2	-0.8
8XF-40H											37.5		DP. 11					1.6	7.5	-0.7
8XF-60H											38.5							2.5	7.0	-1.5
11XF-25L	198	170	PCD	120h7	134	M96	M90	95	9.6	75	42.0	2-M5	6-M10	160	27	68	—	2.0	7.3	2.0
11XF-35L			148			P2	P1.5				43.0	P0.8	P1.5					3.0	5.0	1.0
11XF-85H											42.0		DP. 13					2.0	7.7	-0.5
11XF-120H											43.0							3.0	7.4	-1.5
14XF-30L	236	206	PCD	150h7	158	M120	M120	105	10.4	85	43.5	2-M6	6-M12	186	27	90	—	2.2	6.4	4.2
14XF-45L			180			P2	P1.5				44.5	P1	P1.75					3.5	5.5	2.9
14XF-120H											43.5		DP. 15					2.2	9.0	3.2
14XF-180H											44.5							3.5	8.6	1.9
18XF-130L	280	252	PCD	180h7	220	M165	M140	135	12	110	59.0	2-M6	6-M16	236	50	110	—	3.3	10.7	5.0
18XF-180L			215			P3	P2				60.5	P1	P2					5.0	7.7	3.3
18XF-300H											59.0		DP. 20					3.3	8.8	5.2
18XF-500H											60.5							5.0	7.7	3.5

Contact Mishkin for 3D and 2D drawings. For additional installation methods, please consult Mishkin : mishkinparts.com


订货描述	规格型号	扭矩范围	U-成品孔径	A型国标键槽
Order form	Size/Type	Torque range (N.M)	Finish bore (H7)	Key way 8 (JS9)
6XF-5S-YA25	6XF	5S	YA25	A8 (国标键槽)

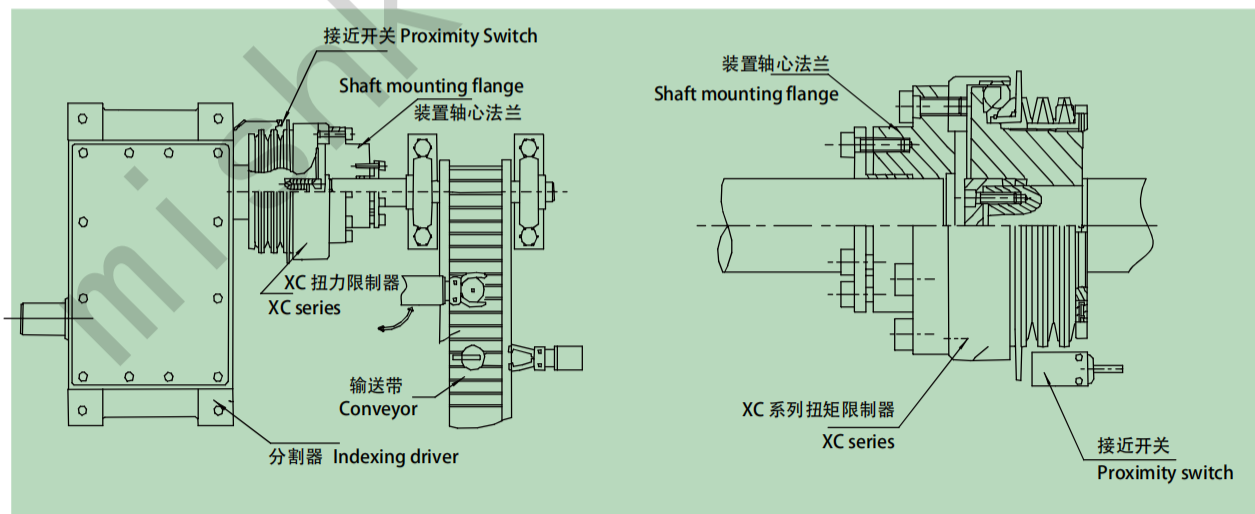
 XF 应用示例：




 Features of the XF Series TORQUE GUARD

The XF Series TORQUE GUARD offers zero-backlash transmission, with a connection flange capable of withstanding forces from X, Y, and Z directions, ensuring high stability. It is particularly suitable for applications with relatively high overload frequencies, such as packaging, filling, production lines, and conveyor systems. For more information, please contact Mishkin.

 XC 应用示例：



 Features of the XC Series TORQUE GUARD:

The XC Series TORQUE GUARD offers zero-backlash transmission, with a detachable connection flange. Its unique ball-cage design provides high synchronization while allowing for increased axial, radial, and angular compensation. It is commonly used in robotic arms, conveyor systems with high synchronization requirements, die-cutting machines, bottling equipment, and more. For additional information, please contact Mishkin.mishkinparts.com