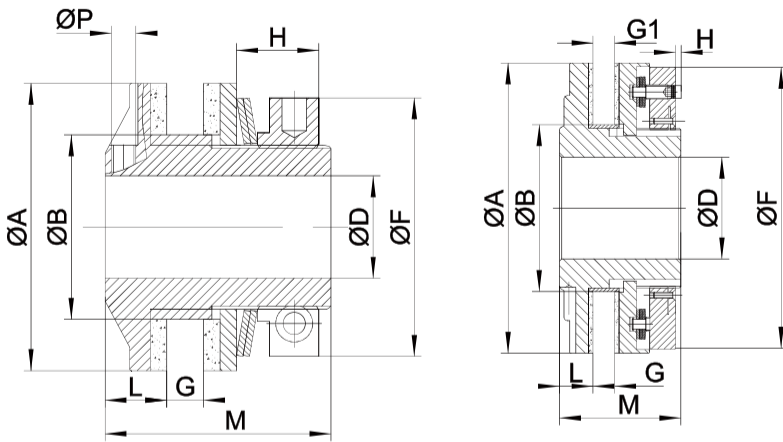


MF 摩擦式扭矩限制器

TYPE MF Friction Torque limiter TORQUE LIMITER

MF 轴-法兰连接

shaft to-ring connection



MF25-MF90
TYPE MF25-MF90

MF115-MF560
TYPE MF115-MF560



MF 扭矩限制器参数表 Parameter of MF Torque Limiter

型号 TYPE	扭矩 TORQUE (NM)				转动惯性 10 ³ KGM ²	最高转速 RPM	重量 KG
	T0	T1	T2	T3			
MF25	—	1-8	2-12	3-20	0.003	10000	0.1
MF38	—	1-14	8-22	15-34	0.022	10000	0.2
MF50	2-12	4-40	17-70	23-100	0.075	7600	0.4
MF70	6-18	17-60	34-120	60-210	0.39	5450	1.1
MF90	13-105	74-140	90-280	185-450	1.167	4250	2.2
MF115	65-280	120-360	207-700	310-950	3.0809	3350	3.7
MF140	—	180-550	260-950	390-1200	9.855	2750	6.6
MF170	—	160-700	300-1450	1000-2600	23.943	2250	10.9
MF205	300-1200	500-2400	1000-4800	—	75.088	1900	20.1
MF240	500-2000	1000-4000	2000-8000	—	152.946	1600	30.9
MF300	800-3500	1500-7000	3000-14000	—	380.357	1300	49.1
MF340	1000-4500	2000-9000	4000-18000	—	869.290	1200	85.5
MF400	1500-5000	3000-11000	5000-23000	—	1830.092	1000	124.5
MF490	2000-9000	4000-20000	6000-30000	—	2160.066	780	179
MF560	8000-23000	15000-35000	26000-52000	—	2550.088	500	278

MF 式扭矩限制器主要尺寸 Dimension of MF Torque Limiter

尺寸：(mm)
Dimensions in mm

型号 TYPE	A	øB H7	øD H7		F	G		L	M	P
			预留孔min	最大max		最小min	最大max			
MF25	25	14	—	8	22	1	3	5	26	M3
MF38	38	24	—	12	32	1	5	8	33	M3
MF50	50	36	—	20	44	1	6	10	35	M4
MF70	70	45	—	25	63	1	10	15	55	M6
MF90	90	60	—	38	82	3	12	16	60	M6
MF115	115	72	18	45	104	5	16	18	70	M6
MF140	140	85	24	55	130	8	19	20	80	M8
MF170	170	98	28	65	158	10	22	22.5	95	M8
MF205	205	120	38	80	193	18	26	27	110	—
MF240	240	145	50	100	230	18	29	27	116	—
MF300	300	175	60	120	287	21	33	29	123	—
MF340	340	205	60	130	325	23	33	41	158	—
MF400	400	230	60	140	388	23	35	46	167	—
MF490	490	305	90	180	450	25	45	73	222	—
MF560	560	335	100	200	500	25	55	79	250	—

- 1'其它更大或更小扭矩范围产品请来电咨询；
- 2'更大或更小的孔径请来电咨询；TEL mishkinparts.com
- 3'内孔公差适用H7

1. Additional sizes for smaller or larger torque available upon request
2. More bore sizes available upon request.
3. Bore tolerance available in H7.

订货描述：
Order form:

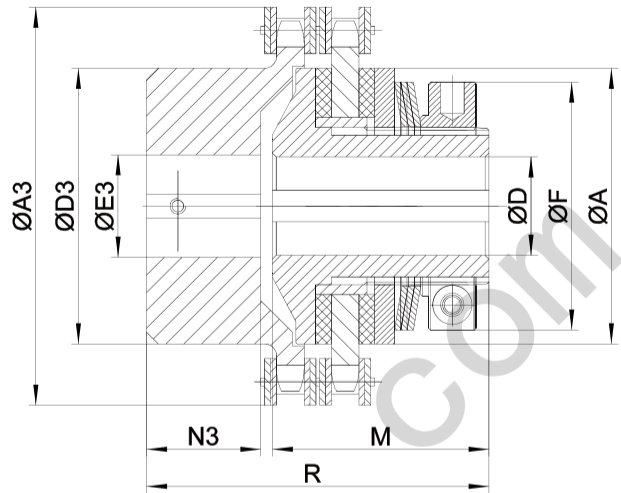
规格型号 Size Type	扭矩范围 Torque range	孔径 Finish bore(H7)	(A型键槽, 宽度B) Key Way
MF70	T2	Y25	A8

MFC 摩擦式扭矩限制器

TYPE MFC Friction Torque limiter TORQUE LIMITER

MFC 轴-轴连接

ring- to-ring connection



MFC扭矩限制器参数表 Parameter of MFC Torque Limiter

型号 TYPE	扭矩 TORQUE (NM)				补偿			转动惯性 10 ³ KGM ²	最高转速 RPM	重量 KG
	T0	T1	T2	T3	角度α[°]	轴向X[mm]	径向K[mm]			
MFC25	—	1-8	2-12	3-20	2°	1, 50	0, 20	0.003	5000	0.1
MFC38	—	1-14	8-22	15-34		1, 50	0, 20	0.022	5000	0.2
MFC50	2-12	4-40	17-70	23-100		1, 50	0, 20	0.075	3800	0.4
MFC70	6-18	17-60	34-120	60-210		2, 40	0, 25	0.39	2800	1.1
MFC90	13-105	74-140	90-280	185-450		3, 20	0, 30	1.167	2200	2.2
MFC115	65-280	120-360	207-700	310-950		4, 50	0, 35	3.0809	1800	3.7
MFC140	—	180-550	260-950	390-1200		4, 80	0, 40	9.855	1500	6.6
MFC170	—	160-700	300-1450	1000-2600		4, 80	0, 40	23.943	1300	10.9
MFC205	300-1200	500-2400	1000-4800	—		6, 30	0, 50	75.088	1000	20.1
MFC240	500-2000	1000-4000	2000-8000	—		6, 30	0, 50	152.946	900	30.9
MFC300	800-3500	1500-7000	3000-14000	—		6, 80	0, 55	380.357	700	49.1
MFC340	1000-4500	2000-9000	4000-18000	—		6, 80	0, 55	869.290	600	85.5
MFC400	1500-5000	3000-11000	5000-23000	—		6, 80	0, 55	1830.092	550	124.5

MFC式扭矩限制器主要尺寸 Dimension of MFC Torque Limiter

尺寸：(mm)
Dimensions in mm

型号 TYPE	A	øD3 H7	øD H7		F	øE3 H7		N3	M	A3	R
			预留孔min	最大max		最小min	最大max				
MFC25	25	23	—	8	22	8	12	9	26	45	39
MFC38	38	37	—	12	32	10	20	20	33	57	58
MFC50	50	50	—	20	44	12	28	19	35	75	58
MFC70	70	70	—	25	63	16	38	29	55	101	87
MFC90	90	89	—	38	82	20	55	38	60	126	102
MFC115	115	112	18	45	104	20	70	56, 5	70	159	131
MFC140	140	130	24	55	130	28	80	59, 5	80	184	145
MFC170	170	130	28	65	158	30	80	88	95	215	189
MFC205	205	150	38	80	193	38	90	103	110	291	218
MFC240	240	170	50	100	230	50	110	124	116	310	245
MFC300	300	200	60	120	287	50	140	147	123	374	284
MFC340	340	210	60	130	325	60	150	165	158	423	329
MFC400	400	240	60	140	388	60	160	191	167	471	364

1'其它更大或更小扭矩范围产品请来电咨询；
2'更大或更小的孔径请来电咨询；
3'内孔公差适用H7

1. Additional sizes for smaller or larger torque available upon request
2. More bore sizes available upon request.
3. Bore tolerance available in H7.

**订货描述：
Order form:**

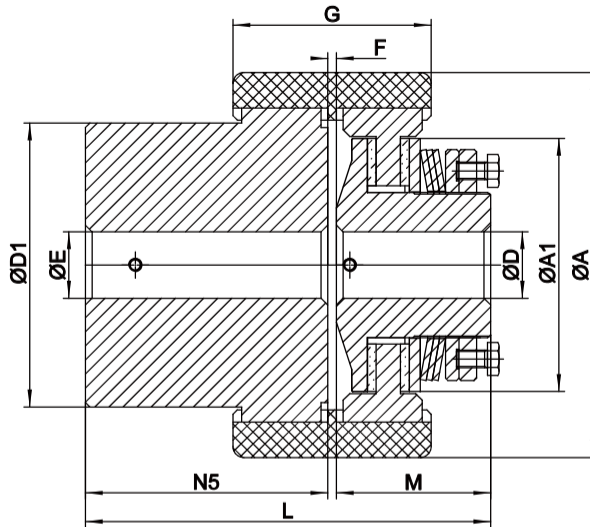
规格型号 Size Type	扭矩范围 Torque range	孔径øE3 Finish bore (H7)	孔径øD Finish bore (H7)	(A型键槽, 宽度16) Key Way
MFC170	T2	YA60	YA60	A18*A18

MFN 摩擦式扭矩限制器

TYPE MFN Friction Torque Limiter TORQUE LIMITER

MFN 轴-轴连接

ring- to-ring connection



MFN25-MFN140



MFN 扭矩限制器参数表 Parameter of MFN Torque Limiter

型号 TYPE	扭矩 TORQUE (NM)				转动惯性 10 ³ KG. CM ²	最大尺寸偏差			最高转速 RPM	重量 KG
	T0	T1	T2	T3		轴向mm	径向mm	角度°		
MFN25	—	1-8	2-12	3-20	0.25	2	±0.3	1	6000	0.85
MFN38	—	1-14	8-22	15-34	3.1	2	±0.4	1	6000	2.6
MFN50	2-12	4-40	17-70	23-100	8.69	2	±0.4	1	6000	3.6
MFN70	6-18	17-60	34-120	60-210	18.34	3	±0.4	2	5000	6.8
MFN90	13-105	74-140	90-280	185-450	98.55	3	±0.6	2	3600	9.8
MFN115	65-280	120-360	207-700	210-950	370.5	4	±0.7	2	3600	16.8
MFN140	—	180-550	260-950	390-1200	550.24	5	±1	3	1500	37.6

MFN 式扭矩限制器主要尺寸 Dimension of MFN Torque Limiter

尺寸：(mm)
Dimensions in mm

型号 TYPE	A	øE H7 max	øD H7		F	G	N5	M	D1	L	A1
			预留孔min	最大max							
MFN25	40	14	—	8	4	28	25	26	27	55	25
MFN38	65	28	—	12	4	43	30	33	46	67	38
MFN50	82	38	—	20	4	45	50	35	56	89	50
MFN70	99	48	—	25	4	50	60	55	77	119	70
MFN90	140	65	—	38	4	70	80	60	101	144	90
MFN115	172	85	18	45	6	90	110	70	129	184	115
MFN140	220	110	24	55	10	110	120	80	160	205+X	140

Features:

1. Wide torque adjustment range, large bore transition, lightweight, and sensitive overload protection.
2. Broad compensation range with low installation requirements.
3. Easy maintenance with timely detection of issues.
4. Dual protection: If torque adjustment is too high, the nylon gear sleeve automatically breaks, with low replacement cost.
5. High cost-effectiveness, customizable for various applications.
6. For higher torque or specific models, an alloy housing can be custom-made, with a maximum torque of up to 52,000 Nm.

1'其它更大或更小扭矩范围产品请来电咨询；
2'更大或更小的孔径请来电咨询；
3'内孔公差适用H7

1. Additional sizes for smaller or larger torque available upon request
2. More bore sizes available upon request.
3. Bore tolerance available in H7.

订货描述：
Order form:

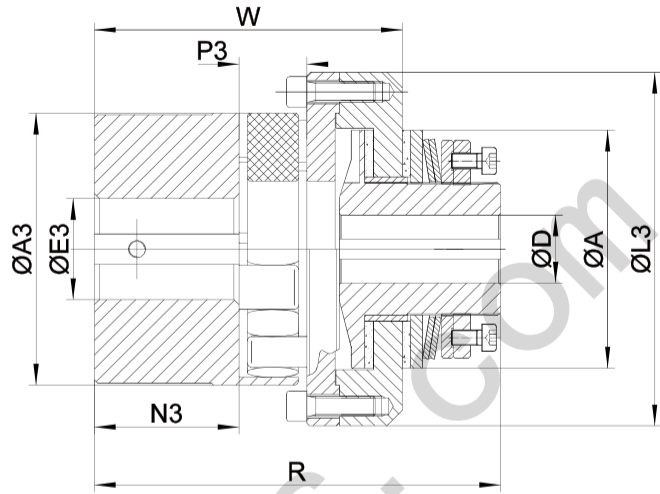
规格型号 Size Type	扭矩范围 Torque range	孔径E Finish bore (H7)	孔径D Finish bore (H7)	(A型键槽，宽度 8) Key Way
MFN70	T2	Y25	Y38	A8*A10

MFX摩擦式扭矩限制器

TYPE MFX Friction Torque limiter TORQUE LIMITER

MFX 轴-轴连接

shaft to-ring connection



MFX25-MFX240

MFX扭矩限制器参数表 Parameter of MFX Torque Limiter

型号 TYPE	扭矩 TORQUE (NM)				转动惯性 10 ³ KGM ²	最高转速 RPM	重量 KG
	T0	T1	T2	T3			
MFX25	—	1-8	2-12	3-20	0.003	10000	0.2
MFX38	—	1-14	8-22	15-34	0.022	10000	0.4
MFX50	2-12	4-40	17-70	23-100	0.075	7600	0.8
MFX70	6-18	17-60	34-120	60-210	0.39	5450	3.3
MFX90	13-105	74-140	90-280	185-450	1.167	4250	5.4
MFX115	65-280	120-360	207-700	310-950	3.0809	3350	10.3
MFX140	—	180-550	260-950	390-1200	9.855	2750	21.1
MFX170	—	160-700	300-1450	1000-2600	23.943	2250	36.3
MFX205	300-1200	500-2400	1000-4800	—	75.088	1900	—
MFX240	500-2000	1000-4000	2000-8000	—	152.946	1600	—
MFX300	800-3500	1500-7000	3000-14000	—	—	—	—
MFX340	1000-4500	2000-9000	4000-18000	—	—	—	—
MFX400	1500-5000	3000-11000	5000-23000	—	—	—	—
MFX490	2000-9000	4000-20000	6000-30000	—	—	—	—
MFX560	8000-23000	15000-35000	26000-52000	—	—	—	—

常规联结HL, FCL, LZ等各类型联轴器, 详情请咨询米什金

MFX 式扭矩限制器主要尺寸 Dimension of MFX Torque Limiter

尺寸: (mm)
Dimensions in mm

型号 TYPE	A	øE3 H7	A3	W	N3	P3	øD	R	L3
MFX25	25	16	30	37.5	11	12	8	56	43
MFX38	38	25	40	64	25	16	12	84.5	58
MFX50	50	35	55	74.5	30	18	20	94	74
MFX70	70	48	80	104	45	24	25	135	107
MFX90	90	55	95	115.5	50	26	38	148.5	132
MFX115	115	74	120	143.5	65	30	45	181.5	164
MFX140	140	95	160	181	85	40	55	224	208
MFX170	170	110	200	207.5	100	45	65	260	246
MFX205	205	115	225	236	110	50	80	295	285
MFX240	240	125	255	255	120	55	100	317	330
MFX300	300	—	—	—	—	—	—	—	—
MFX340	340	—	—	—	—	—	—	—	—
MFX400	400	—	—	—	—	—	—	—	—
MFX490	490	—	—	—	—	—	—	—	—
MFX560	560	—	—	—	—	—	—	—	—

常规联结HL, FCL, LZ等各类型联轴器, 详情请咨询米什金。

- 1'其它更大或更小扭矩范围产品请来电咨询;
- 2'更大或更小的孔径请来电咨询;
- 3'内孔公差适用H7

- 1. Additional sizes for smaller or larger torque available upon request
- 2. More bore sizes available upon request.
- 3. Bore tolerance available in H7.

订货描述:
Order form:

规格型号Size Type	扭矩范围Torque range	E3孔径 Finish bore(H7)	D孔径 Finish bore(H7)	(A型键槽, 宽度16) Key Way
MFX170	T2	Y55	Y55	A16*A16